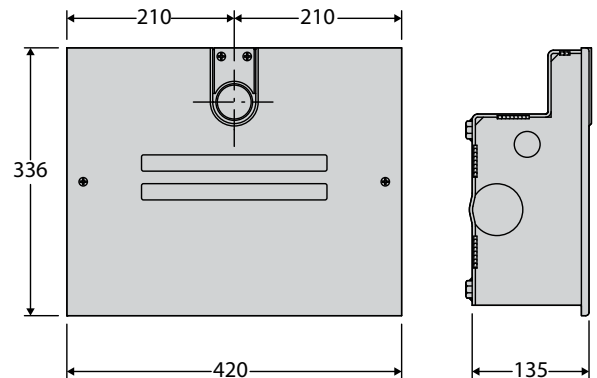




	Code	Name	Description
	P930125 00001	ELI 250 N BT	Underground electromechanical operator 24V for swing gates up to 400kg in weight and 3.5m in length.

	ELI 250 N BT
Control unit	THALIA
Operator weight	10kg
Operator type	electromechanically operated swing gates
Power supply	24V
Power input	175W
Maximum angle	120°
Cycle time	15sec
Type of limit switch	magnetic
Slowdown	yes
Impact reaction	d-track
Locking	mechanical
Release	lever or lever with personalised key
Frequency of use	intensive
Environmental conditions	from -20°C to 50°C

Dimensions



THALIA

Control panel for one or two 24V operators for swing gates



THALIA D113745 00002

- Application: control panel for one or two 24V operators for swing gates
- Board power supply: 230V single-phase
- Operators power supply: 24Vdc 180W max each operator
- Main features: removable terminal blocks with new standard colour-coding, simplified scenario-based programming with display and incorporated dual channel receiver, D-Track anti-crushing system, slowdown during opening and closing and electronic self-learning
- Main functions: automatic re-closing, fast closing, partial opening, deadman feature
- Compatibility: LIBRA C MA, LIBRA, LIBRA R, LIBRA MA R

Accessories

	Code	Name	Description
	D113745 00002	THALIA	Control panel for one or two 24V operators for swing gates
	N733392	SCC	Release for ELI 250N and SUB BT with lever key.
	N733397	BTCF 120 E	Foundation box with levers for ELI 250 N BT, ELI 250 N, ELI 250 N V. Release not supplied
	N733398	BTCF 120 E INOX	Stainless steel foundation box with levers for ELI 250 N BT, ELI 250 N, ELI 250 N V. Release not provided
	N733502	SCP	Release for ELI 250 and SUB BT with personal key.
	P125020	BBT BAT	Set of backup batteries for THALIA and THALIA P

