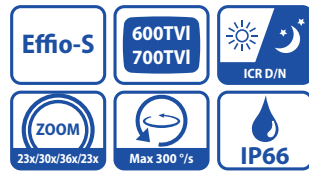


DH-SD6323/6330/6336/6370-H

23x/30x/36x/23x Cost-effective Weatherproof PTZ Dome Camera



Model

DH-SD6323-H: 23x optical zoom, 1/4" Super HAD CCD II, Effio-S, 600TVL, IP66

DH-SD6330-H: 30x optical zoom, 1/4" Super HAD CCD II, Effio-S, 600TVL, IP66

DH-SD6336-H: 36x optical zoom, 1/4" Super HAD CCD II, Effio-S, 600TVL, IP66

DH-SD6370-H: 23x optical zoom, 1/3" EXview HAD CCD II, Effio-S, 700TVL, IP66

Features

Camera

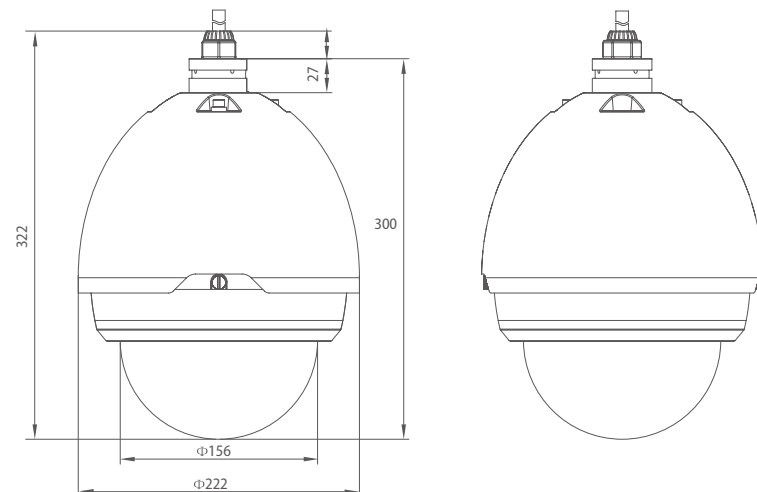
- Effio-S brings low-light and high-resolution images
- High resolution of 600TVL & 700TVL(Color)
- Min. Illumination low to 0.001Lux@F1.6(Color), 0.0001Lux@F1.6(B/W)
- Powerful 23x/30x/36x/23x optical zoom
- Day/Night (ICR), DNR (2D&3D), Auto iris, Auto focus, AWB, AGC, BLC

Dome Drive

- Max 300°/s pan speed, 360° continuous pan rotation & auto flip with no blind spot monitor
- Up to 300 preset, 5 auto scan, 8 tour, 5 pattern
- Auto recognition of general protocols such as DH-SD, Pelco-P/D, and etc

- Speed setup according to the focal distance, auto rotation speed adjust in accordance with the lens zoom rate
- Auto restore to previous PTZ and lens status after power failure
- Time Task: Auto activation of Preset/Scan/Tour/ Pattern by preset-time
- Idle task function supported: Call preset/tour and etc operations after idle for the specified time (including the idle status after the system boots up)
- OSD and operation prompts of various languages
- Unique 3D positioning function
- IP66 all-environments protection, 4000V thunder-proof, constant temperature automatic control & anti-fog

Dimensions (mm)



Specifications

Model	DH-SD6323-H	DH-SD6330-H	DH-SD6336-H	DH-SD6370-H
Camera				
Image Sensor	1/4" Super HAD CCD II			1/3" EXview HAD CCD II
Effective Pixels	PAL: 752(H) x 582(V) NTSC: 768(H) x 494(V)			PAL: 976(H) x 582(V) NTSC: 976(H) x 494(V)
Horizontal Resolution	600TVL(Color), 650TVL(B/W)			700TVL(Color), 750TVL(B/W)
Min. Illumination	Color: 0.01 Lux/F1.6(AGC ON, Slow Shutter ON) B/W: 0.001Lux/F1.6(AGC ON, Slow Shutter ON)			Color: 0.001 Lux/F1.6(AGC ON, Slow Shutter ON) B/W: 0.0001Lux/F1.6(AGC ON, Slow Shutter ON)
Lens	Optical zoom: 23x f= 3.9 mm(wide) ~ 89.7 mm (tele), (F1.6~3.7)	Optical zoom: 30x f= 3.4 mm(wide) ~ 105 mm (tele), (F1.6~3.7)	Optical zoom: 36x f= 3.4 mm(wide) ~ 122.4 mm (tele), (F1.6~4.5)	Optical zoom: 23x f= 3.9 mm(wide) ~ 89.7 mm (tele), (F1.6~2.7)
Digital Zoom	10x	16x		16x
Angle of View	38.5°(wide) ~ 1.8° (tele)	57.8°(wide) ~ 2.0° (tele)	57.8°(wide) ~ 1.7° (tele)	57.6°(wide) ~ 3.12° (tele)
Close Focal Distance	100mm (wide) ~ 1000mm (Tele)	100mm (wide) ~ 1200mm (Tele)	100mm (wide) ~ 1500mm (Tele)	100mm (wide) ~ 1000mm (Tele)
Electronic Shutter	Auto: 1/s~1/100,000s Manual: 1/s~1/10,000s			
Day/Night	ICR			
Noise Reduction	Off / 2D / 3D			
Gain Control	Auto/Manual			
Exposure Control	Auto / Manual / Shutter priority / Iris priority / Bright mode, Exposure Compensation			
BLC	ON/OFF			
White Balance	AAWB (3000 to 7500K), ATW(2000 to 1000K), Indoor(3200K), Outdoor(5800K), Manual			
Picture Effects	Sharpness, Image mirror, Image freeze			
S/N Ratio	More than 50 dB			
Video Output	CVBS: 1.0Vp-p / 75Ω			
Dome Drive				
Pan/Tilt Range	Horizontal: 0°~360°endless, Vertical: -2°~90° auto flip 180° to continue monitor			
Manual Control Speed	Horizontal: 0.1°~300°/s, Vertical: 0.1°~150°/s			
Preset Speed	Horizontal: 300°/s, Vertical: 180°/s			
Preset	255			
PTZ Mode	5 Auto Pattern, 8 Auto Tour, 5 auto scan			
3D Positioning	Yes			
Speed Setup	Human-oriented focal Length/ speed adaptation			
Info Display	Time, Location, Dome title, Dome coordinates, Temperature, Alarm, and etc.			
Power up Action	Auto restore to previous PTZ and lens status after power failure			
Idle Motion	Activate preset/scan/tour/ patter if there is no command in the specified period.			
Time Task	Auto activation of Preset/Scan/Tour/ Pattern by preset-time			
Remote Upgrade	Yes, RS485			
Protocol	DH-SD, Pelco-P/D, Auto recognition of general protocols			
General				
Power Supply	AC 24V/1.5A(±10%)			
Power Consumption	12W(Indoor), 24W(Outdoor, heater on)			
Working Temperature	-40°C ~ 60°C			
Working Humidity	<90%			
Protection Level	IP66, 4000V thunder, surge and wave protection			
Dimension	Φ222(mm) x 322(mm)			
Weight	5.0kg			